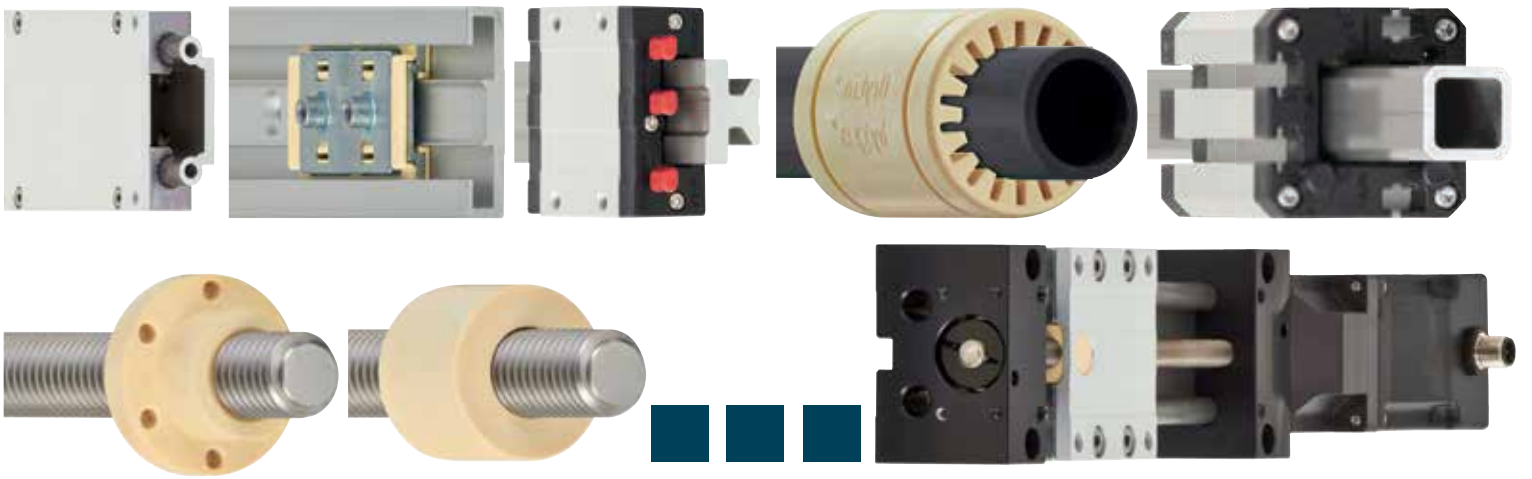


DryLin[®]...

Linear technology,
lead screw technology
and drive technology



...plastics

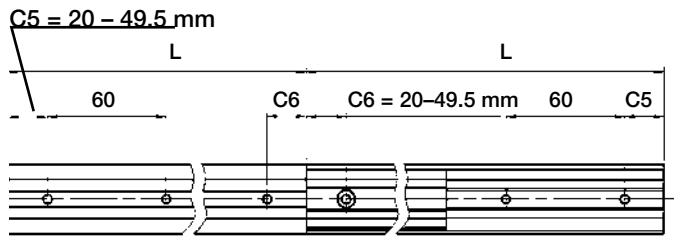
DryLin® N - Low-profile guide systems - Product range

Telescopic rails



- Solid A180 thermoplastic guide/aluminum rail
- Lightweight
- Low priced
- Corrosion resistant
- Continuous lengths up to 1,200 mm (total extension)

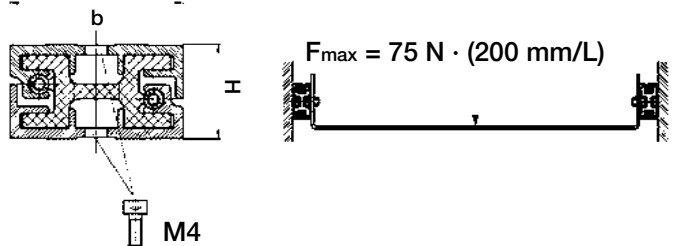
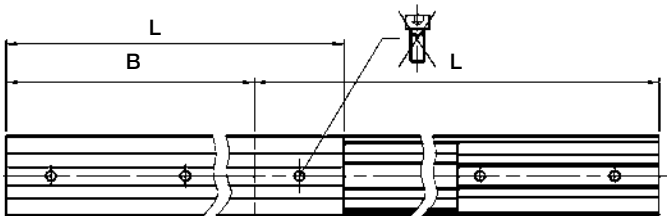
NT-35-"L" – Total extension



NT-35-"L"-"L+20" – Over-extension



NT-35-"L"-"B" – Partial extension



Order key

Type	Size
NT - 35 - 300	
DryLin® N	
Telescopic system	
Rails width	
Length [mm]	



Over extension order key

Type	Size	Option
NT - 35 - 300 - 320		
DryLin® N		
Telescopic system		
Rails width		
Length [mm]		
Over extension [mm]		



Partial extension order key

Type	Size	Option
NT - 35 - 300 - 200		
DryLin® N		
Telescopic system		
Rails width		
Length [mm]		
Partial extension [mm]		

Option:
Partial extension
(e.g.: telescoped
length 300 mm,
extended length
500 mm)



Recommendation:

F_{max} calculated using this formula allows an easy manual use. The unit can take higher forces than this, but the required driving force will be correspondingly higher.

Dimensions [mm]

Part No.	b	H	L min.	L max.
NT-35-... mm	35	19	100	600

DryLin® N - Low-profile guide systems - Product range

Telescopic rails with locking mechanism

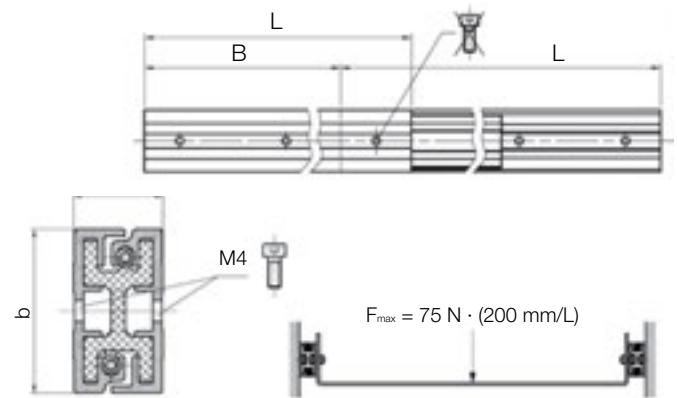
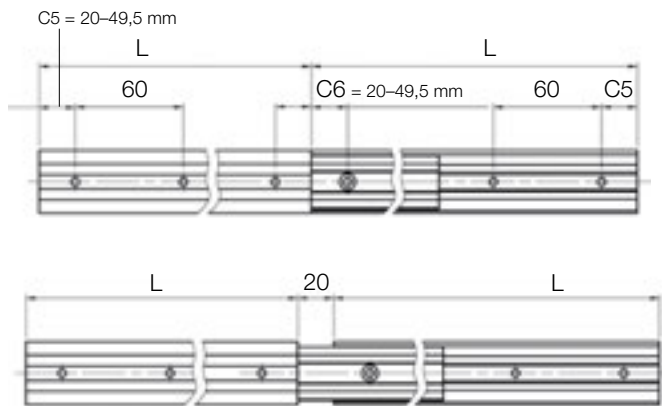


Order key

Type Size Option

NT - LM - 35 - 300

DryLin® N	Telescopic system	Locking mechanism	Rail width	Length [mm]
-----------	-------------------	-------------------	------------	-------------



DryLin® NT LM in adjustment of Perspex guard



DryLin® NT LM in guard door adjustment in a machine tool

DryLin® detent in end and center position at full extension – Dimensions [mm]

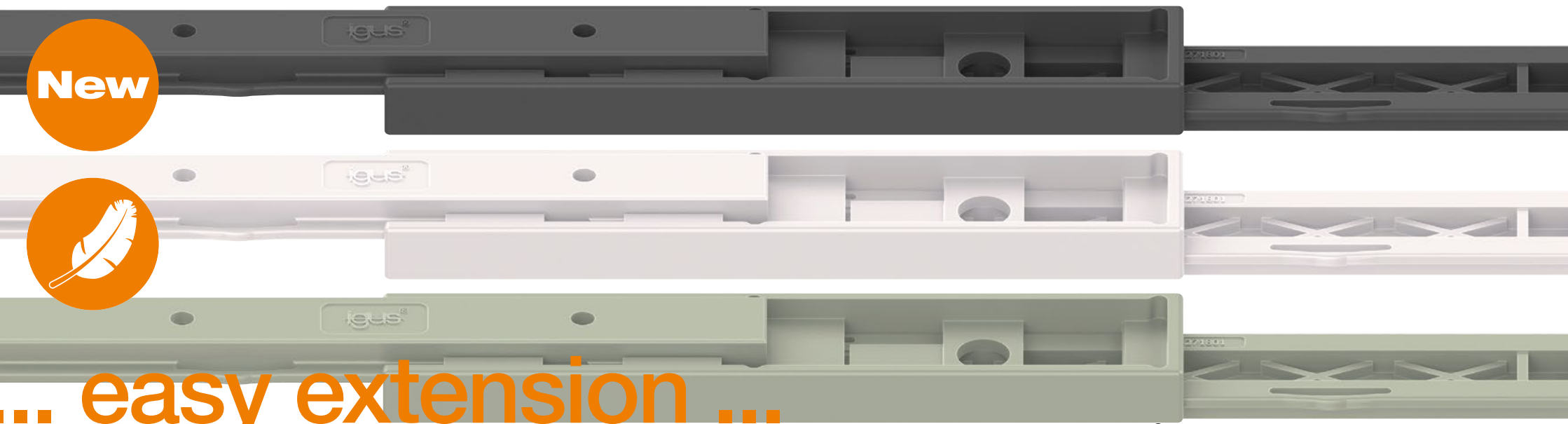
Part No.	b	H	Lmin	Lmax
NT-LM-35-...mm	35	19	140	600

Individual position detent on request; The length divided by the locking distance must be an even number.
e.g. Lengths 250 mm, latching all 62.5 mm = $250 / 62.5 = 4$



Order example:

NT-LM-35-300 = DryLin® N telescopic rail with locking mechanism, 35 mm width, retracted length 300 mm



... easy extension ...

... telescopic guide made of plastic totally dispenses with metal components ... drylin® NTP ...

Tech up

- Complete telescopic guide made of solid plastic
- Three-part design made of igus® high-performance polymers
- Quiet operation with no rolling elements
- Low clearance due to spring preload
- Available in 3 colours (anthracite, light grey, white)

Cost down

- Fast assembly in seconds
- Cost-effective production in injection moulding
- Safe snap-hook principle
- Select from three colours to suit the usage environment

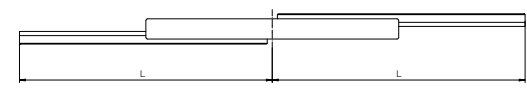
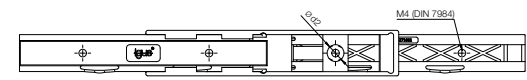
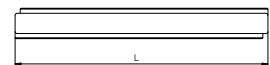
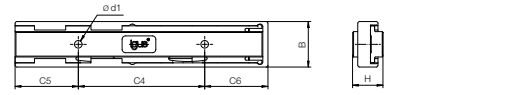
Proof

- Easy assembly in seconds
- Maintenance-free through the use of self-lubricating igus® polymers
- 64% weight saving and 23% narrower installation space compared to NT-35
- Tested and proven, bears up to 2.5kg, up to 70% lighter than competing products made of steel

Sustainability

- First metal-free telescopic guide without lubrication
- Low inertia reduces emissions in the aviation industry, among others
- Very easy to transport
- 100% clean and quiet
- Lubrication and maintenance-free
- igus® supports the circular economy of plastics and is investing in chemical recycling. Learn more about the topic at:

www.igus.eu/plastic2oil



Dimensions [mm]

Part No.	d	C5	C4	C6	B	H	d2	L
NTP-27-18-150	4,5	37,5	75	37,5	27	18	10	150

Available from stock