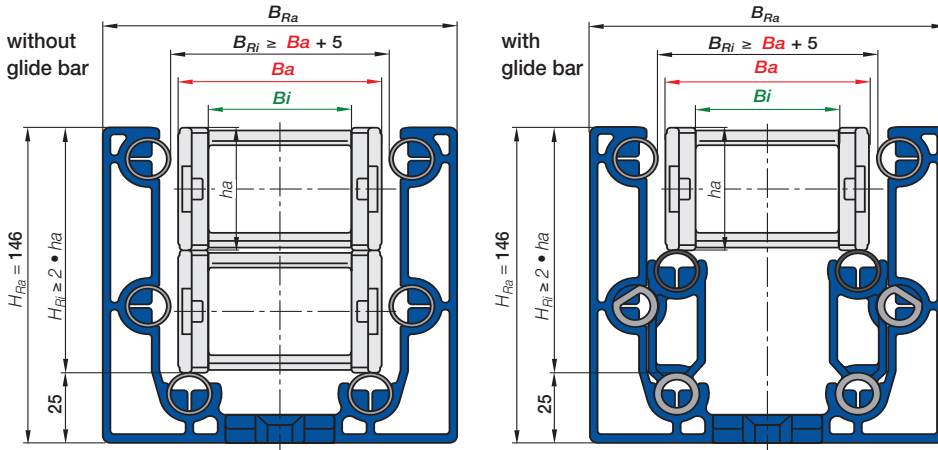


Tubular Trough | System RS



93.70
93.71
95.70
95.71

Part No. 93.70 and Part No. 93.71



Tubular Trough Components	Part No.	Weight [kg]
Installation set without glide bars	93.70. XX	≈ 0,25
Installation set with glide bars	93.71. XX	≈ 0,20
Installation set junction	93.74. XX	
Tubular steel, diameter 12 x 1 galvanized: (L = 985) for clearance Installation set 1 m	93.80	≈ 0,50

Supplement Part No. with the required width in the table. Example: 93.71. 050



Order Example: Inner width 50 mm. For 8 m trough the following parts are required:

Area with glide bar:	4 x Installation set Part No 93.71.050 + tube: 4 x 4 piece Part No. 93.80
Area without glide bar:	4 x Installation set Part No. 93.70.050 + tube: 4 x 6 piece Part No. 93.80 1 x junction Part No. 93.74.050



For the following igus® Series

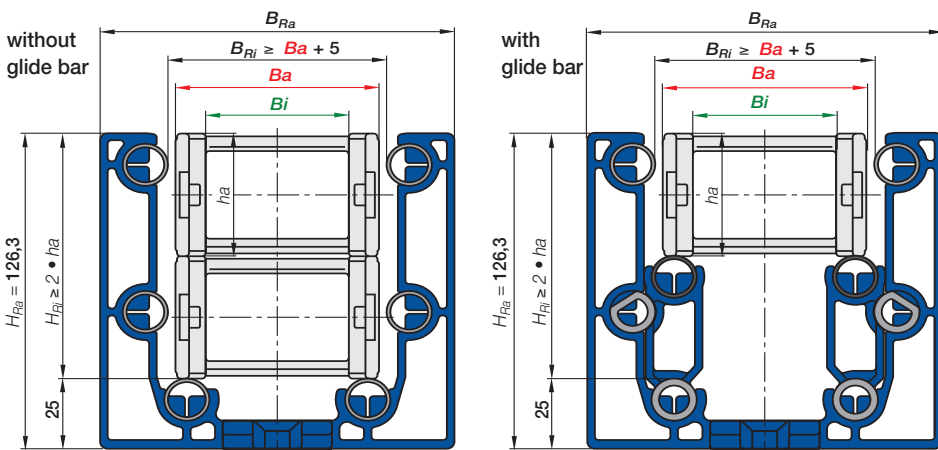
- System E2 Series
 - 3500
 - 350 classic
- System E6 Series
 - E6.52* ● R6.52*

XX	Bi	Ba	B _{Ra}	B _{Ri}
050	50	70	130	75
075	75	95	155	100
100	100	120	180	125
115	115	135	195	140
125	125	145	205	150
150	150	170	230	175
175	175	195	255	200
200	200	220	280	225
225	225	245	305	250
250	250	270	330	275

XX = e-chain® width
* without spacer plate

For 1 m trough without glide bars
6 tubes 1 meter long are required.
For 1 m trough with glide bars 4
tubes 1 meter long are required.

Part No. 95.70 and Part No. 95.71



Tubular Trough Components	Part No.	Weight [kg]
Installation set without glide bars	95.70. XX	≈ 0,15
Installation set with glide bars	95.71. XX	≈ 0,12
Installation set junction	95.74. XX	
Fastening set	93.80	≈ 0,50
Tubular steel, diameter 12 x 1 galvanized: (L = 985) for clearance Installation set 1 m		

Supplement Part No. with the required width in the table. Example: 95.71. 10



Order Example: Inner width 50 mm. For 8 m trough the following parts are required:

Area with glide bar:	4 x Installation set Part No. 95.71.05 + tube: 4 x 4 piece Part No. 93.80
Area without glide bar:	4 x Installation set Part No. 95.70.05 + tube: 4 x 6 piece Part No. 93.80 1 x junction Part No. 95.74.05



For the following igus® Series

- System E2 Series
 - 2700
 - 27 classic

XX	Bi	Ba	B _{Ra}	B _{Ri}
05	50	66	124	71
06*	65	81	139	86
07	75	91	149	96
09*	90	106	164	111
10	100	116	174	121
12	125	141	199	146
15	150	166	224	171
17	175	194	252	199
20	200	219	277	224

XX = e-chain® width
* upon request

For 1 m trough without glide bars
6 tubes 1 meter long are required.
For 1 m trough with glide bars 4
tubes 1 meter long are required.

Tubular Troughs
System RS

Phone +49- (0) 22 03-96 49-800
Fax +49- (0) 22 03-96 49-222

AL

ST

RS

SP

